



IPL, Lawnrake Compact 340, 9640111-01, 9640111-22, 9640111-62, 2005-11

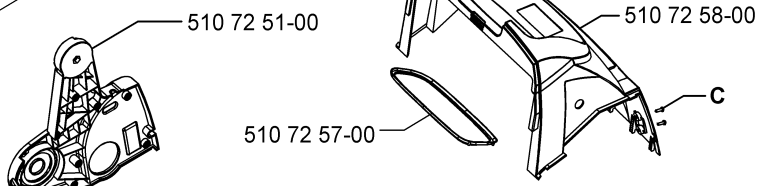
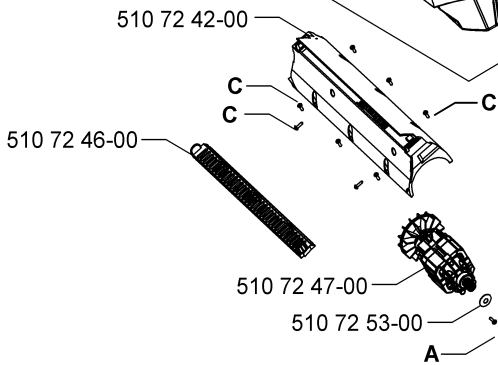
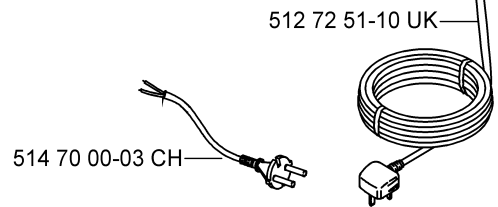
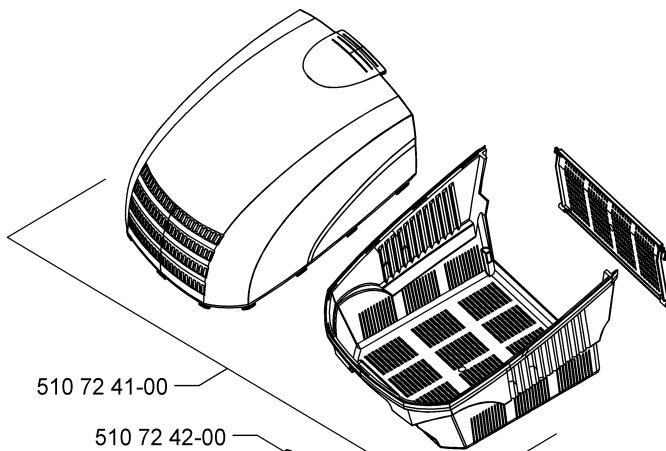
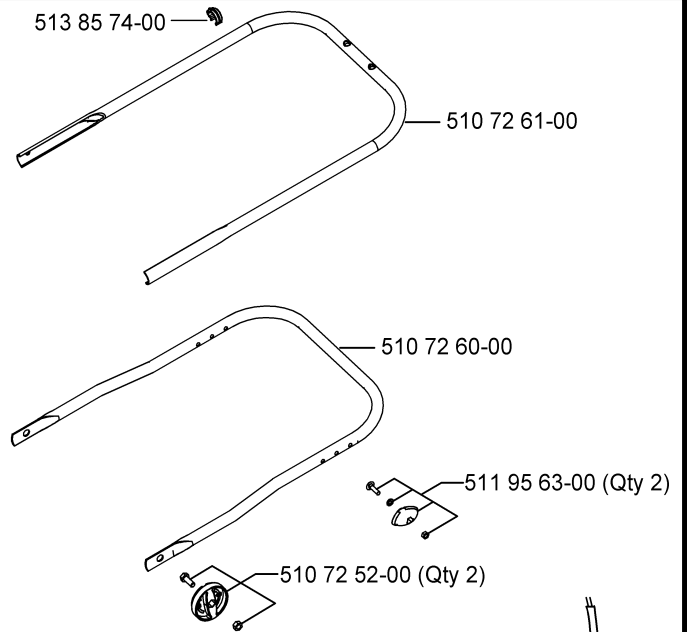
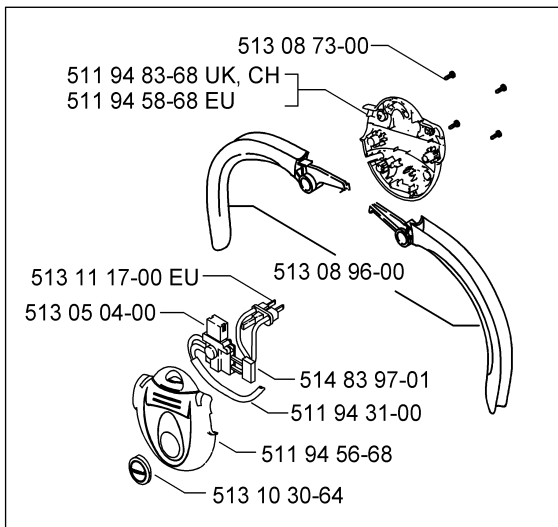
# Lawnrake Compact 340






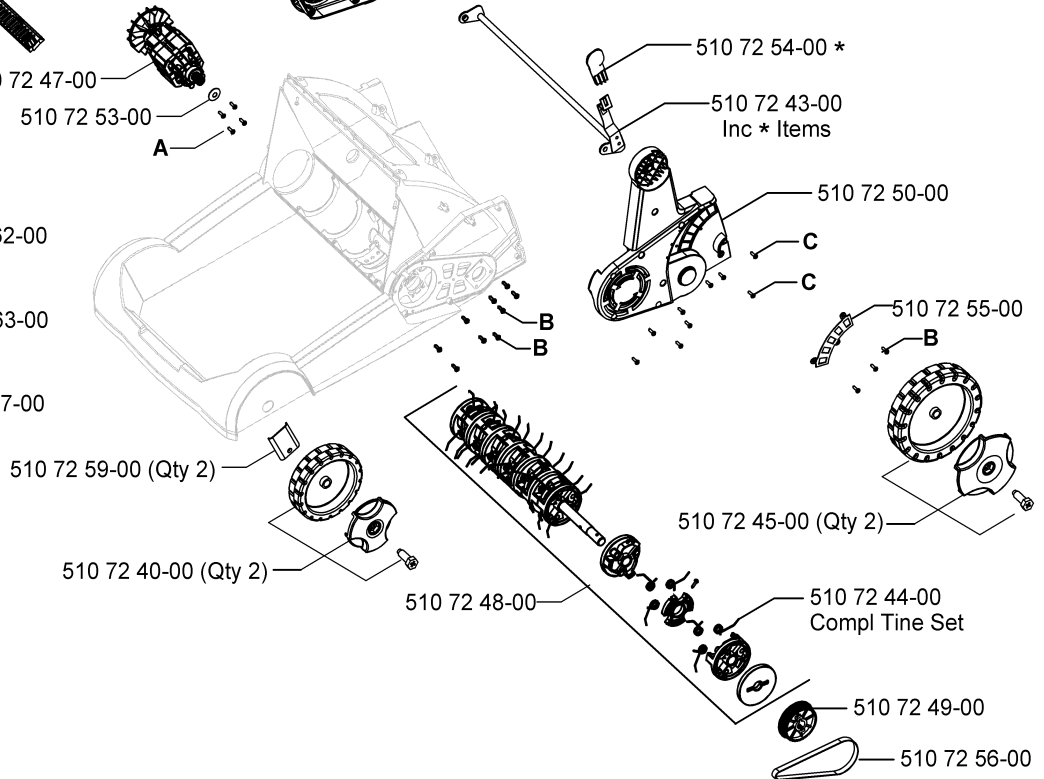
**Factory:**  
**Product Group:**  
**Sub Group:**  
**Publication Date:**  
**Publication Number:**

**FLM - Newton Aycliffe**  
**OM 78**  
**Lawnrake/Scarifier: 7894**  
**09/11/05**  
**AP0511001**

IPL, Lawnrake Compact 340, 9640111-01, 9640111-22, 9640111-62, 2005-11



- A  (Qty 10) 510 72 62-00
- B  (Qty 10) 510 72 63-00
- C  (Qty 10) 510 72 77-00



**IPL, Lawnrake Compact 340, 9640111-01, 9640111-22, 9640111-62, 2005-11**

<b>Part Number</b>	<b>Description</b>	<b>Qty</b>	<b>Note</b>
510 72 40-00	SMALL WHEEL ASSEMBLY (Qty 2 )	1	
510 72 41-00	COLLECTION BOX ASSEMBLY	1	
510 72 42-00	BLOWER HOUSING ASSEMBLY	1	
510 72 43-00	HEIGHT ADJ SHAFT & LEVER ASSY	1	
510 72 44-00	REPLACEMENT TINES KIT	1	
510 72 45-00	LARGE WHEEL ASSEMBLY (Qty 2 )	1	
510 72 46-00	BLOWER FILTER ASSEMBLY	1	
510 72 47-00	MOTOR ASSEMBLY	1	
510 72 48-00	TINE RACK ASSEMBLY	1	
510 72 49-00	DRIVEN PULLEY ASSEMBLY	1	
510 72 50-00	LH WHEEL ARCH (INC FILTER)	1	
510 72 51-00	RH WHEEL ARCH (INC FILTER)	1	
510 72 52-00	LOWER WING KNOB (Qty 2 )	1	
510 72 53-00	DRIVE PULLEY FLANGE	1	
510 72 54-00	HEIGHT ADJUST HANDLE	1	
510 72 55-00	HEIGHT POSITION PLATE	1	
510 72 56-00	DRIVE BELT	1	
510 72 57-00	VISION WINDOW	1	
510 72 58-00	REAR COVER	1	
510 72 59-00	FIXING PLATES KIT (Qty 2 )	1	
510 72 60-00	LOWER HANDLES	1	
510 72 61-00	UPPER HANDLES	1	
510 72 62-00	SCREWS KIT (SP3.9 X 12 FLANGED)	4	
510 72 63-00	SCREWS KIT (SP3.9 X 8)	1	
510 72 75-00	SCREWS KIT (SP3.9 X 20)	1	
510 72 76-00	SCREWS KIT (SD3.9 X 16)	1	
510 72 77-00	SCREWS KIT (SD3.9 X 12)	1	
511 94 31-00	LEAD ASSY	1	
511 94 56-68	SWITCHBOX UPPER GREY	1	
511 94 58-68	SWITCHBOX LOWER EURO	1	EU
511 94 83-68	SWITCHBOX LOWER HARDWIRED	1	UK, CH
511 95 63-00	HANDLE FIXING KIT (Qty 2 )	1	
512 72 51-10	CABLE EXT AND PLUG	1	UK
513 05 04-00	SWITCH 8A 250V	1	
513 08 96-00	SWITCHBOX LEVERS KIT	1	
513 10 30-64	BUTTON LOCK-OFF ORANGE	1	
513 11 17-00	PIN RETAINER EURO	1	EU
514 70 00-03	LEAD	1	CH
514 83 97-01	CAPACITOR PWR.HOE/MULTI TRIM	1	